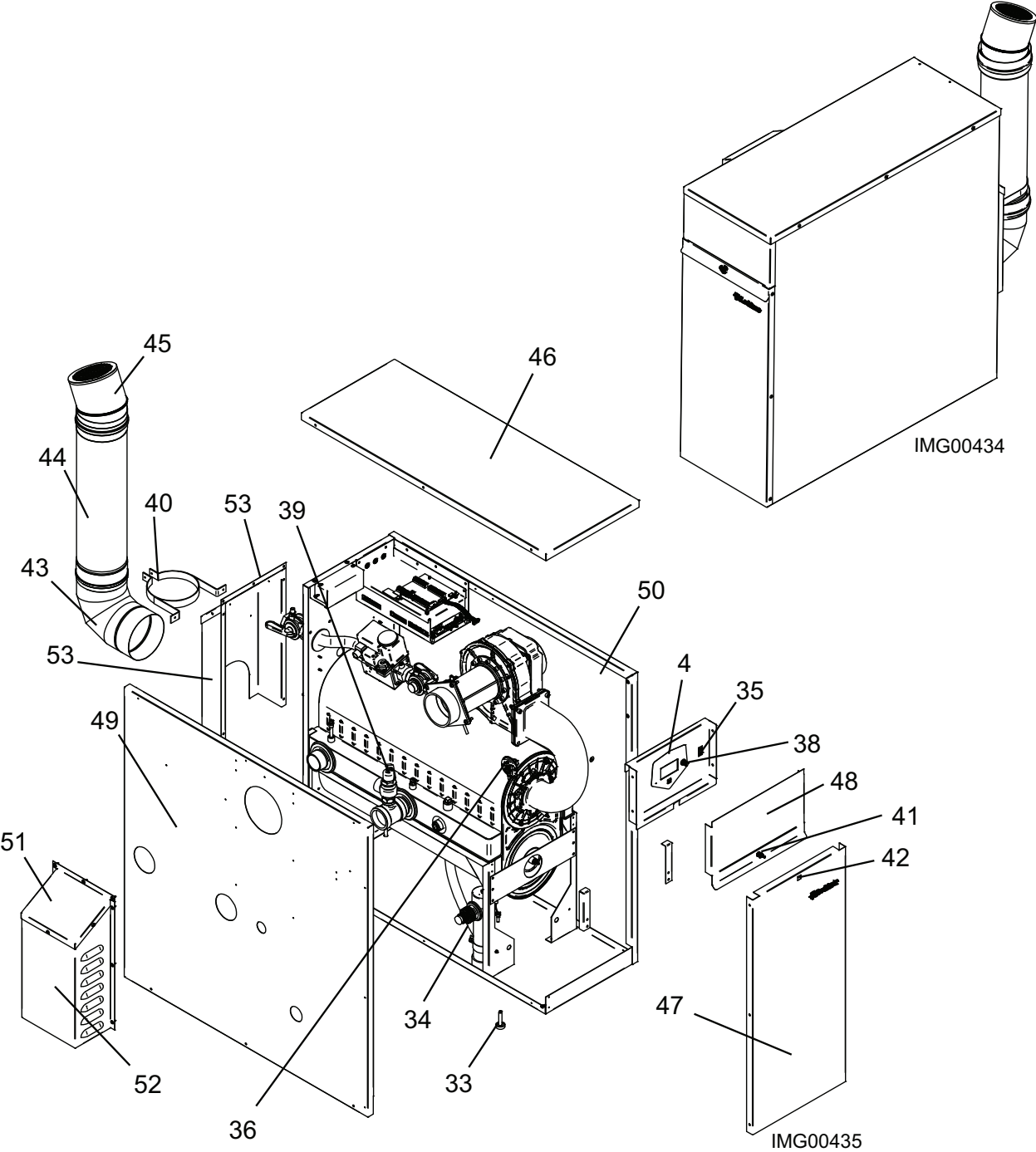




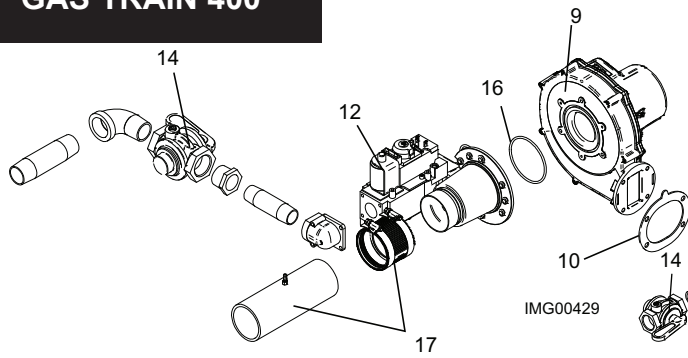
Replacement Parts List

PARTS & SERVICE DEPARTMENT
Nashville, Tennessee
877-554-5544 • Fax: 615-882-2918
parts_team@lochinvar.com
www.Lochinvar.com

Outdoor Knight XL
Heating Boilers
OK 400 thru 801

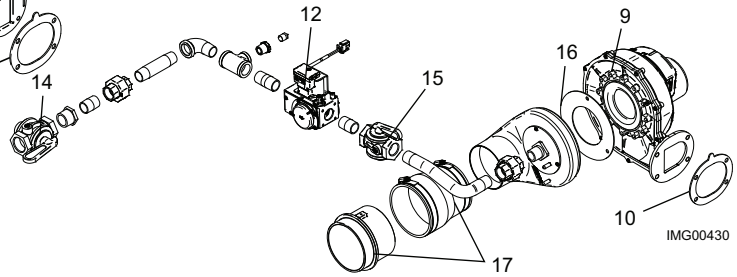


GAS TRAIN 400



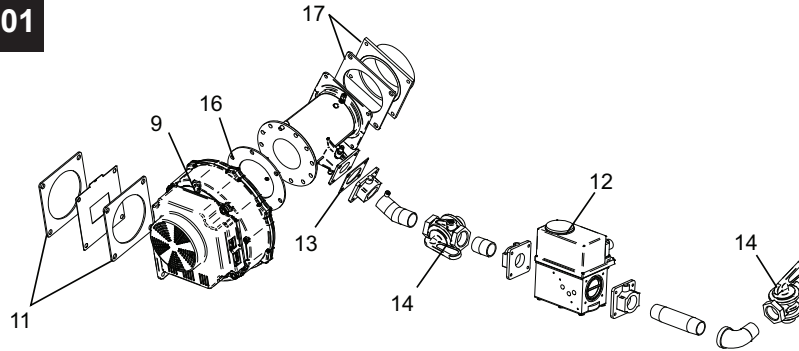
IMG00429

GAS TRAIN 501



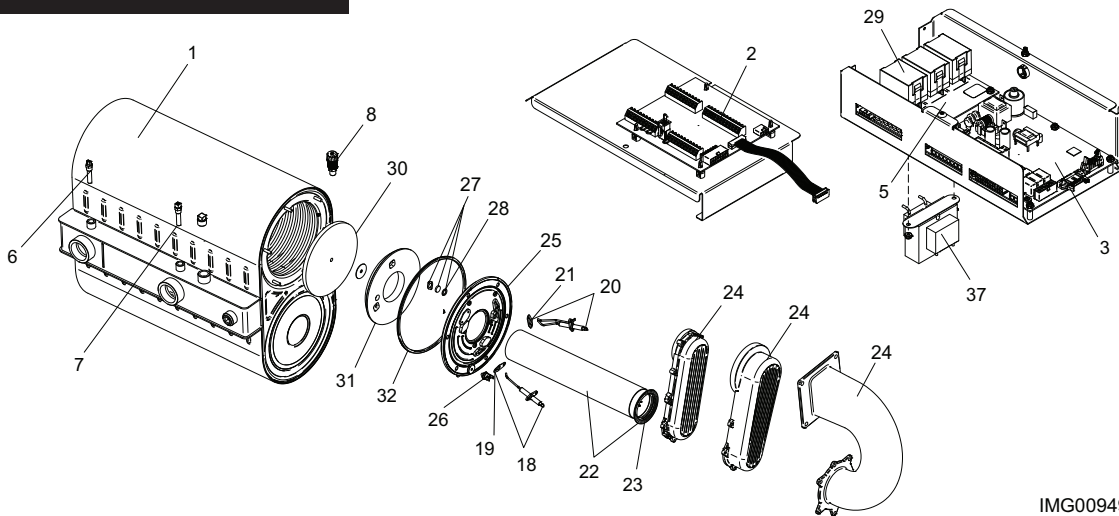
IMG00430

GAS TRAIN 601-801



IMG00431

HEAT EXCHANGER 400-801



IMG00949

CONTROL PANEL

ITEM NO.	PART NO.	DESCRIPTION	MODEL
HEAT EXCHANGER ASSEMBLY			
1	100147457	HEAT EXCHANGER - ASME - H STAMP 399 MBH	OK 400
1	100147458	HEAT EXCHANGER - ASME - H STAMP 500 MBH	OK 501
1	100147460	HEAT EXCHANGER - ASME - H STAMP 600 MBH	OK 601
1	100147461	HEAT EXCHANGER - ASME - H STAMP 700 MBH	OK 701
1	100147462	HEAT EXCHANGER - ASME - H STAMP 800 MBH	OK 801
CONTROLS			
2	100208459*	LOW VOLTAGE CONNECTION BOARD	ALL
3	100167823*	INTEGRATED CONTROL BOARD, BEGINNING SERIAL H10	OK 400
3	100167794*	INTEGRATED CONTROL BOARD, PRIOR TO H10	OK 501
3	100167825*	INTEGRATED CONTROL BOARD, BEGINNING SERIAL H10	OK 601 - 801
4	100208458*	USER INTERFACE CONTROL	ALL
-	100289522	OVERLAY LABEL, USER INTERFACE	ALL
5	100208493*	PUMP RELAY BOARD, 1.5 HP	ALL
6	100208549*	INLET SENSOR	ALL
7	100208544*	OUTLET SENSOR	ALL

PLEASE HAVE MODEL AND SERIAL NUMBER WHEN ORDERING PARTS

*ITEMS DENOTE SUGGESTED INVENTORY PARTS

ITEM NO.	PART NO.	DESCRIPTION	MODEL
CONTROLS (CONTINUED)			
8	100167445	AIR VENT VALVE	ALL
9	100145008	FAN ASSEMBLY	OK 400
9	100145009	FAN ASSEMBLY	OK 501
9	100144980	FAN ASSEMBLY	OK 601 - 801
10	100208101*	GASKET, FAN / AIR ARM	OK 400
10	100208759*	GASKET, FAN / AIR ARM	OK 501
11	100208089*	GASKET, FAN / VENTURI	OK 601-801
GAS VALVES			
12	100172006	GAS VALVE ASSEMBLY	OKN400
12	100172009	GAS VALVE ASSEMBLY NAT	OKN501
12	100172014	GAS VALVE ASSEMBLY NAT	OKN601
12	100171923	GAS VALVE ASSEMBLY NAT	OKN701
12	100172015	GAS VALVE ASSEMBLY NAT	OKN801
12	100171928	GAS VALVE ASSEMBLY LP	OKL501
12	100171929	GAS VALVE ASSEMBLY LP	OKL601
12	100171930	GAS VALVE ASSEMBLY LP	OKL701
12	100171931	GAS VALVE ASSEMBLY LP	OKL801
13	100208105*	GASKET, GAS VALVE / VENTURI	OK 601 - 801
14	100300201	GAS CUT OFF VALVE 1"	ALL
15	100277803	GAS CUT OFF VALVE 3/4"	OK 501
16	100208761	GASKET, VENTURI	OK 400
16	100233703	GASKET, AIR SHROUD	OK 501
16	100233694	GASKET, VENTURI	OK 601 - 801
17	100163225	AIR INLET KIT	OK 400
17	100163226	AIR INLET KIT	OK 501
17	100163227	AIR INLET KIT	OK 601-801
PILOT & BURNER ASSEMBLIES			
18	100165930*	FLAME SENSOR W/ GASKET	OK 400/501
18	100165931*	FLAME SENSOR W/ GASKET	OK 601 - 801
19	100208091*	GASKET, FLAME SENSOR	ALL
20	100165929*	IGNITOR W/ GASKET	OK 400/501
20	100165920*	IGNITOR W/ GASKET	OK 601 - 801
21	100208086*	GASKET, IGNITOR	ALL
22	100135311	BURNER ASSEMBLY W/ GASKET	OK 400/501
22	100135313	BURNER ASSEMBLY W/ GASKET	OK 601
22	100135314	BURNER ASSEMBLY W/ GASKET	OK 701
22	100135315	BURNER ASSEMBLY W/ GASKET	OK 801
23	100208085*	GASKET, BURNER	OK 400/501
23	100233594*	GASKET, BURNER	OK 601 - 801
24	100173792	GAS/AIR ARM ASSEMBLY W/GASKET	OK 400
24	100173793	GAS/AIR ARM ASSEMBLY W/GASKET	OK 501
24	100173798	GAS/AIR ARM ASSEMBLY W/GASKET	OK 601 - 801
25	100173794	HEAT EXCHANGER ACCESS DOOR KIT	OK 400/501
25	100173799	HEAT EXCHANGER ACCESS DOOR KIT	OK 601 - 801
26	100292715*	HEX DOOR TEMP SWITCH	ALL
MISCELLANEOUS			
27	100163249	SIGHT GLASS KIT	ALL
28	100208762	GASKET, SIGHT GLASS	ALL
29	100208502	RELAY, 1.5 HP PUMP	ALL
30	100208061	DIVIDER PLATE, INSULATION BAFFLE	ALL
31	100208060	BURNER PLATE, INSULATION, DOOR	OK 400/501
31	100208059	BURNER PLATE, INSULATION, DOOR	OK 601 - 801
32	100208088*	GASKET, RUBBER DOOR	OK 400/501
32	100208093*	GASKET, RUBBER DOOR	OK 601 - 801
33	100321509	LEVELING LEGS	ALL
34	100163244	CONDENSATE TRAP	ALL
-	100208243*	BLOCKED DRAIN SWITCH	ALL
35	100208242	ON/OFF SWITCH W/ I-O SYMBOL	ALL
36	100208378*	PRESSURE SWITCH, 4.1" WATER COLUMN	OK 400
36	100208383*	PRESSURE SWITCH, 5.3" WATER COLUMN	OK 501
36	100208382*	PRESSURE SWITCH, 6.2" WATER COLUMN	OK 601-801
37	100208230	TRANSFORMER, 24V, 40VA	OK 400 - 701
37	100208246	TRANSFORMER, 24V, 60VA	OK 801
38	100277824	FLUTED KNOB W/ SKIRT	ALL
39	100208454	RELIEF VALVE, 3/4", 50 PSI	OK 400-601
39	100208442	PRESSURE RELIEF VALVE, 3/4", 50 PSI	OK 701/801

**PLEASE HAVE MODEL AND SERIAL NUMBER WHEN ORDERING PARTS
*ITEMS DENOTE SUGGESTED INVENTORY PARTS**

ITEM NO.	PART NO.	DESCRIPTION	MODEL
MISCELLANEOUS			
40	100289568	4" WALL STRAP	OK 400-601
40	100289645	6" WALL STRAP	OK 701 & 801
41	100289570	DOOR LATCH	ALL
-	100289644	LATCH RETAINER	ALL
42	100289643	DOOR LATCH RECEPTACLE	ALL
43	100288433	4" ELBOW, 90 DEG, POLYPRO	OK 400-601
43	100288583	6" ELBOW, 90 DEG, SS	OK 701 & 801
44	100288434	4" X 36" POLYPRO GREEN VENT PIPE	OK 400-601
44	100288584	6" STAINLESS STEEL FLUE VENT PIPE	OK 701 & 801
45	100289673	6" STAINLESS STEEL VENT TERMINATION	OK 701 & 801
-	100233684	GASKET STRIP, AIR INLET & FLUE	ALL
-	100208097	GASKET, ESCUTCHEON, 3/4" CONDENSATE TRAP	ALL
-	100208097	GASKET, ESCUTCHEON, 3/4" GAS CONNECTION	OK501
-	100208090	GASKET, ESCUTCHEON, 1" GAS CONNECTION	OK 400, 601-801
-	100278141	GASKET, ESCUTCHEON, 2" WATER CONNECTION	ALL
-	100278141	GASKET, ESCUTCHEON, 2" AIR INLET	OK 400
-	100289476	GASKET, ESCUTCHEON, 4" AIR INLET	OK601-801
-	100208808*	FUSE, 1.25A / 250V	ALL
-	100208231*	FUSE, 3.15A / 250V	ALL
-	100208232*	FUSE, 5A / 250V	ALL
-	100208661*	FLOW SWITCH W/ #3 PADDLE	ALL
-	100276804*	EIGHT POSITION TERMINAL STRIP	ALL
-	100208834	OUTDOOR AIR SENSOR	ALL
-	100208152*	GAUGE TRIOMETER, 75# PSI	ALL
-	100170642*	FLUE TEMP SENSOR KIT	ALL
-	100208552*	SYSTEM SENSOR	ALL
-	100208569*	BULB WELL 1/4"	ALL
-	100287115*	LOW WATER CUT-OFF W/ MANUAL RESET	ALL
-	100157719	ALARM BELL	ALL
-	100159011	LP CONVERSION KIT	OK 400
-	100159012	LP CONVERSION KIT (AFTER SERIAL #J07 FOR OK 500)	OK 501-801
-	100148402	HEAT EXCHANGER OVER-TEMP SWITCH	ALL
-	100288486	WIRE HARNESS, POWER	ALL
-	100208625	WIRE HARNESS, CONNECTION BOARD	ALL
-	100072937	WIRE HARNESS, UNIT	ALL
-	100288496	WIRE HARNESS, ON/OFF	OK 400
-	100288497	WIRE HARNESS, ON/OFF	OK 501-801
-	100208618	WIRE HARNESS, SPARK ELECTRODE	OK400/501
-	100208623	WIRE HARNESS, SPARK ELECTRODE	OK 601-801
-	100208637	WIRE HARNESS, GAS VALVE	OK 400
-	100173314	WIRE HARNESS, GAS VALVE	OK 501
-	100299111	WIRE HARNESS, GAS VALVE	OK 601-801
-	100208622	WIRE HARNESS, FLAME SENSOR ELECTRODE	ALL
-	100208638	CABLE, RIBBON	ALL
JACKET ASSEMBLY			
46	100149709	JACKET, TOP	OK 400
46	100149710	JACKET, TOP	OK 501
46	100149711	JACKET, TOP	OK 601
46	100149712	JACKET, TOP	OK 701
46	100149713	JACKET, TOP	OK 801
47	100149708	JACKET, FRONT, LOWER	OK 400-801
48	100149714	JACKET, FRONT, UPPER	ALL
49	100149717	JACKET, LEFT SIDE	OK 400
49	100149718	JACKET, LEFT SIDE	OK 501
49	100149719	JACKET, LEFT SIDE	OK 601
49	100149720	JACKET, LEFT SIDE	OK 701
49	100149721	JACKET, LEFT SIDE	OK 801
50	100150714	JACKET, RIGHT SIDE	OK 400
50	100150709	JACKET, RIGHT SIDE	OK 501
50	100150590	JACKET, RIGHT SIDE	OK 601
50	100150717	JACKET, RIGHT SIDE	OK 701
50	100150619	JACKET, RIGHT SIDE	OK 801
51	100150750	COVER, AIR INLET BOX TOP	OK 400
51	100150611	COVER, AIR INLET BOX TOP	OK 501-801
52	100149745	COVER, AIR INLET BOX	OK 400
52	100149746	COVER, AIR INLET BOX	OK 501-801
53	100150597	COVER, FLUE BOX	OK 400-601
53	100150666	COVER, FLUE BOX	OK 701/801
54	100149715	COVER, FLUE BOX TOP	OK 400-601
54	100149716	COVER, FLUE BOX TOP	OK 701/801

PLEASE HAVE SERIAL NUMBER WHEN ORDERING PARTS
*ITEMS DENOTE SUGGESTED INVENTORY PARTS