

Talis C
Single-Hole Faucet 90 with Pop-Up Drain, 1.2 GPM
 Finishes : **brushed nickel** Part no. : **14127821**



Description

Features

- Spray modes: non Aerated Spray
- Flow: 1.2 GPM (4.5 L/Min)
- Ceramic cartridge
- Includes pop-up drain

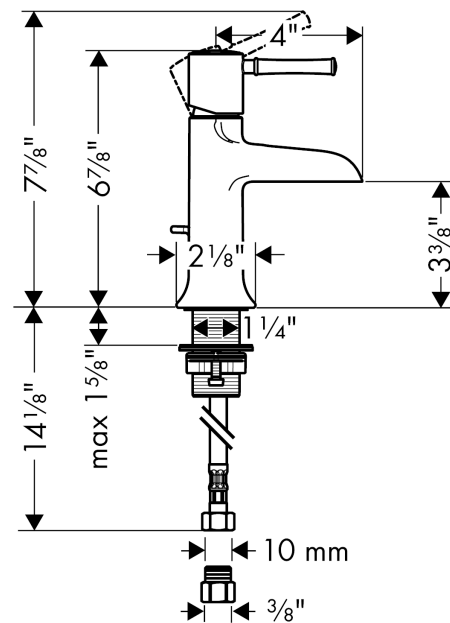
Technology



Product image



Scale drawing

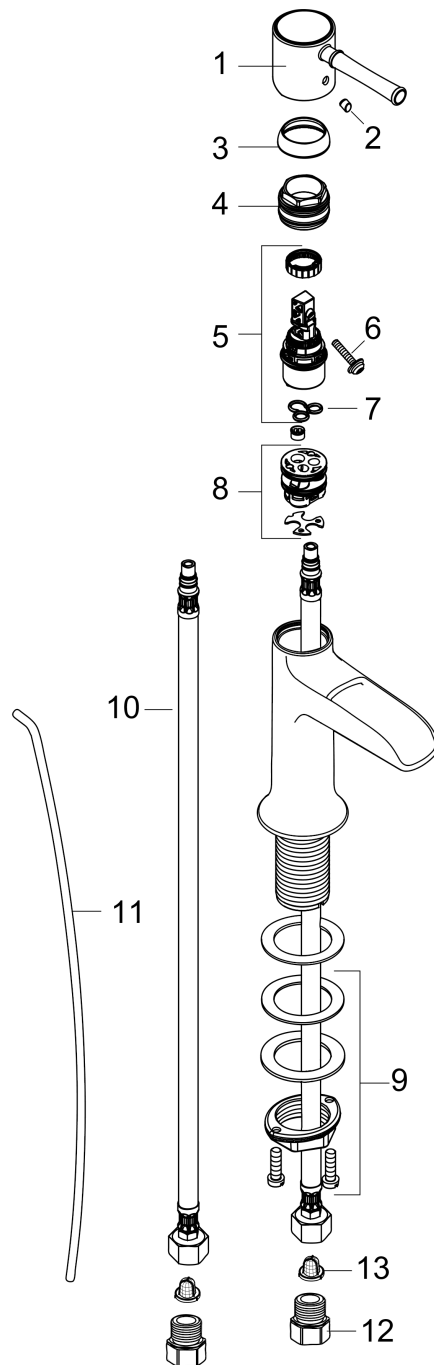


Talis C
Single-Hole Faucet 90 with Pop-Up Drain, 1.2 GPM
 Finishes : **brushed nickel** Part no. : **14127821**



Exploded drawing

Year of production: >07/16



Talis C
Single-Hole Faucet 90 with Pop-Up Drain, 1.2 GPM
 Finishes : **brushed nickel** Part no. : **14127821**



Spare parts list

Year of production: >07/16

Pos.	Description	Part no.	PC	PU
1	handle	14191820	0	1
2	screw cover	96338000	0	1
3	flange	98863820	0	1
4	nut	98864000	0	1
5	cartridge, assy	95973001	0	1
6	locking screw for handle	95140000	0	1
7	seal	98865000	0	1
8	adapter for cartridge	98866000	0	1
9	fixing set (Ø 32)	13961000	0	1
10	connection hose 17½" M8x0,75 G3/8	95141001	0	1
11	pull rod	96657820	0	1
12	adapter for connection hose	88802000	0	1
13	filter packing	95291000	0	1
a	pop up waste	88509820	0	1
b	O-ring 24x2	98388000	0	1
c	O-ring 27x1,5	92527000	0	1