

Talis C
Single-Hole Faucet 90 with Pop-Up Drain, 1.2 GPM
 Finishes : **rubbed bronze** Part no. : **14127921**



Description

Features

- Spray modes: non Aerated Spray
- Flow: 1.2 GPM (4.5 L/Min)
- Ceramic cartridge
- Includes pop-up drain

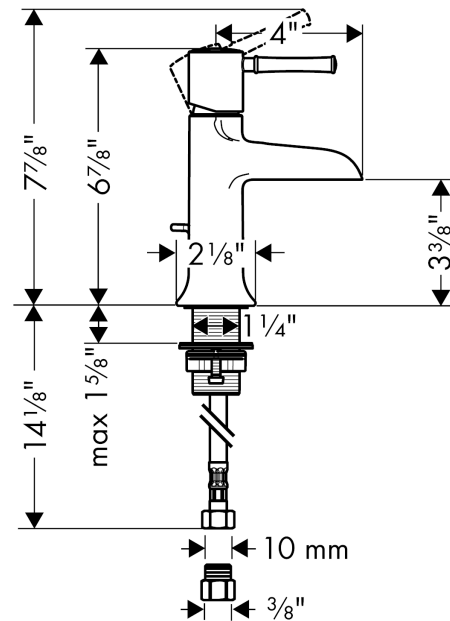
Technology



Product image



Scale drawing

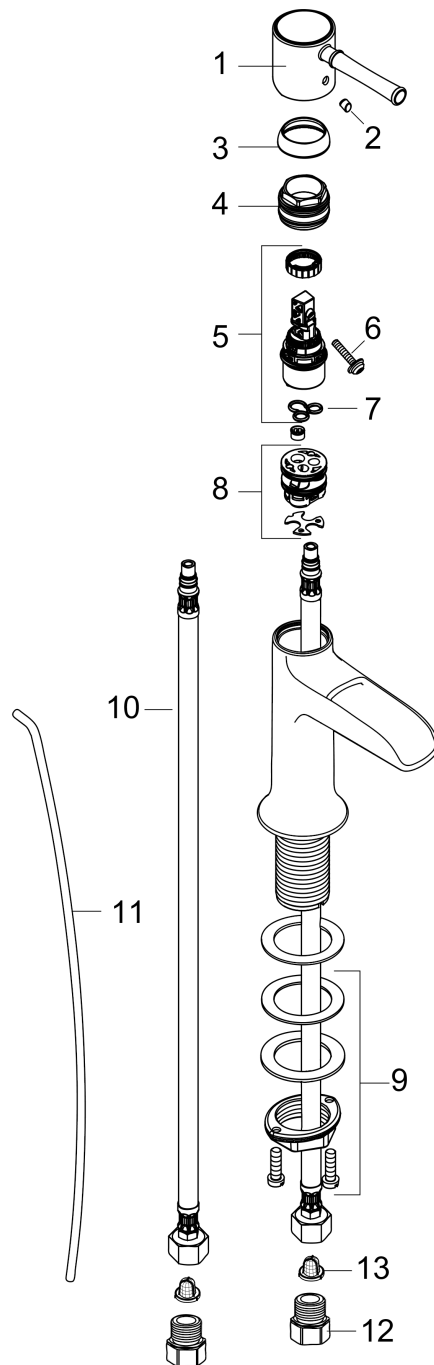


Talis C
Single-Hole Faucet 90 with Pop-Up Drain, 1.2 GPM
 Finishes : **rubbed bronze** Part no. : **14127921**



Exploded drawing

Year of production: >03/09



Talis C
Single-Hole Faucet 90 with Pop-Up Drain, 1.2 GPM
 Finishes : **rubbed bronze** Part no. : **14127921**



Spare parts list

Year of production: >03/09

Pos.	Description	Part no.	PC	PU
1	handle	14191920	0	1
2	screw cover	96338000	0	1
3	flange	98863920	0	1
4	nut	98864000	0	1
5	cartridge, assy	97685000	0	1
6	locking screw for handle	95140000	0	1
7	seal	98865000	0	1
8	adapter for cartridge	98866000	0	1
9	fixing set (Ø 32)	13961000	0	1
10	connection hose 450 mm M8x0,75 G3/8	95141000	0	1
11	pull rod	96657920	0	1
12	adapter for connection hose	88802000	0	1
13	filter packing	95291000	0	1
a	pop up waste	88509920	0	1
b	O-Ring 22x2	98185000	0	1
c	O-ring 28x1,5	98421000	0	1
d	O-ring 25x1,5	98146000	0	1
e	O-ring 23x2	98398000	0	1
f	O-ring 24x2	98388000	0	1
g	O-ring 27x1,5	92527000	0	1