

# Crown Fusion 328/428 DBAF/FLAF

Threaded Full Port Two-Piece Ball Valve

1/4" ~ 2" Sizes, 2000 WOG

2-1/2" ~ 3" Sizes, 1500 WOG

Blowout proof stem

Material to NACE MR0175

Standard Marking to MSS SP-25

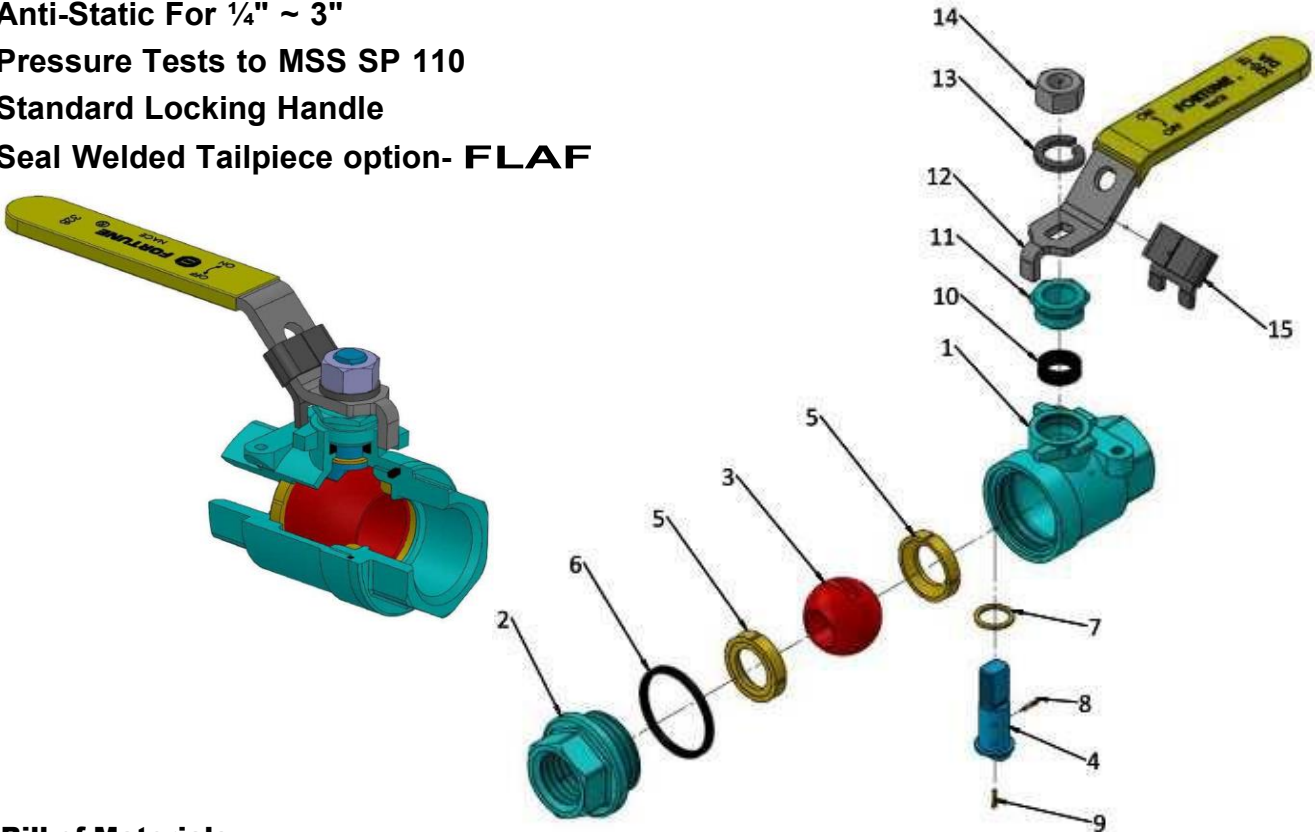
Fire Safe Certified to API 607

Anti-Static For 1/4" ~ 3"

Pressure Tests to MSS SP 110

Standard Locking Handle

Seal Welded Tailpiece option- **FLAF**



## Bill of Materials

ITEM	PART	328:STAINLESS STEEL	428:CARBON STEEL	Q'TY
1	BODY	ASTM A351 CF8M	ASTM A216 WCB	1
2	END CAP	ASTM A351 CF8M	ASTM A216 WCB	1
3	BALL	ASTM A351 CF8M / A182 F316	ASTM A351 CF8	1
4	STEM	ASTM A479 316	ASTM A479 304	1
☆ 5	SEAT	TFM	TFM	2
☆ 6	BODY GASKET	GRAPHITE	GRAPHITE	1
☆ 7	THRUST WASHER	RTFE	RTFE	1
8.	SPRING	304SS	304SS	1
9.	SPRING	304SS	304SS	1
☆ 10.	PACKING	GRAPHITE	GRAPHITE	1
11	GLAND RETAINER NUT	304SS	304SS	1
12	HANDLE	304SS	C/S PLATED	1
13	STEM WASHER	304SS	C/S PLATED	1
14	HANDLE NUT	304SS	C/S PLATED	1
15	LOCKING DEVICE	304SS	C/S PLATED	1

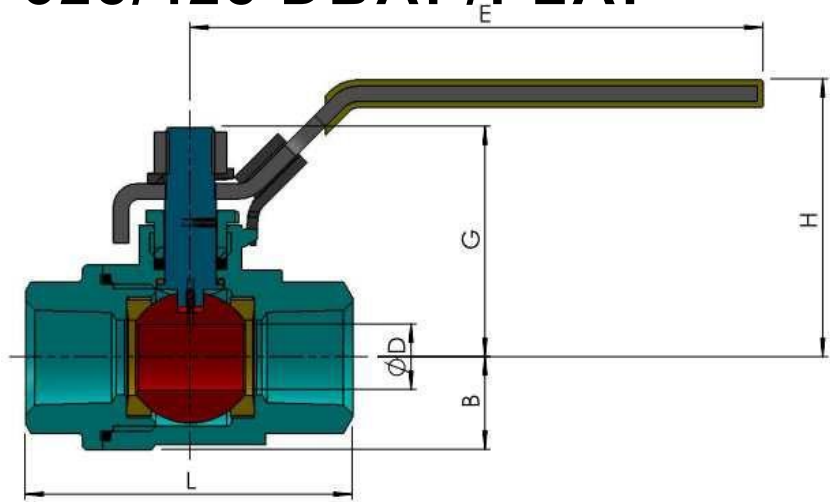
Note 1: ☆ Minor repair kit

Note 2: (ITEM 10) PACKING: GRAPHITE for DBAF and FLAF

Note 3: (ITEM 6) BODY GASKET: GRAPHITE for DBAF and FLAF

Note 4: (ITEM 3) BALL: A351 CF8M or A182 F316

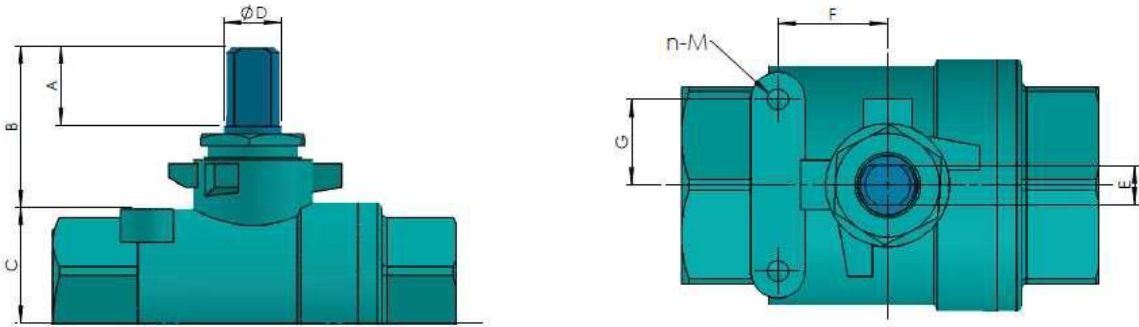
# Crown Fusion 328/428 DBAF/FLAF



## Weights and Dimensions

SIZE	WOG / PN	D	L	B	G	H	E	Cv	WEIGHT
In / DN		In / mm	In / mm	In / mm	In / mm	In / mm	In / mm	gal / min	Kg / Lbs
1/4 / 8	2000 / 130	0.36 / 9.2	1.90 / 48	0.52 / 13	1.23 / 31	1.86 / 47	3.82 / 97	13	0.20 / 0.4
3/8 / 10	2000 / 130	0.49 / 12.5	2.04 / 52	0.59 / 15	1.45 / 37	1.99 / 51	3.82 / 97	26	0.25 / 0.6
1/2 / 15	2000 / 130	0.50 / 12.7	2.50 / 64	0.71 / 18	1.76 / 45	2.07 / 53	4.33 / 110	26	0.37 / 0.8
3/4 / 20	2000 / 130	0.75 / 19.1	2.81 / 72	0.85 / 22	1.91 / 49	2.23 / 57	4.33 / 110	61	0.53 / 1.1
1 / 25	2000 / 130	0.98 / 25.0	3.31 / 84	1.00 / 26	2.27 / 58	2.72 / 69	5.57 / 142	110	0.87 / 1.9
1-1/4 / 32	2000 / 130	1.20 / 31.0	3.70 / 94	1.26 / 32	2.50 / 64	2.95 / 75	5.57 / 142	170	1.28 / 2.8
1-1/2 / 40	2000 / 130	1.50 / 38.0	4.35 / 111	1.45 / 37	3.02 / 77	3.22 / 82	6.50 / 165	260	1.90 / 4.2
2 / 50	2000 / 130	1.97 / 50.0	4.86 / 124	1.79 / 46	3.34 / 85	3.54 / 90	6.50 / 165	480	2.99 / 6.6
2-1/2 / 65	1500 / 100	2.50 / 63.5	6.48 / 165	2.30 / 59	4.42 / 112	5.33 / 135	9.80 / 249	820	6.35 / 14.0
3 / 80	1500 / 100	3.00 / 76.2	7.20 / 183	2.72 / 69	4.80 / 122	5.71 / 145	9.80 / 249	1150	9.53 / 21.0

Note: "L" DIMENSION ± 0.06 in. / 1.5 mm



## Actuator Mounting Dimensions

SIZE	A	B	C	D	E	F	G	K
In / DN	In / mm	In / mm	In / mm	In / mm	In / mm	In / mm	In / mm	mm
1/4 / 8	0.31 / 8	0.70 / 18	0.53 / 14	0.31 / 8	0.20 / 5	0.51 / 13	0.56 / 14	M5
3/8 / 10	0.41 / 10	0.90 / 23	0.55 / 14	0.31 / 8	0.20 / 5	0.51 / 13	0.56 / 14	M5
1/2 / 15	0.55 / 14	1.09 / 28	0.67 / 17	0.39 / 10	0.24 / 6	0.51 / 13	0.56 / 14	M5
3/4 / 20	0.55 / 14	1.11 / 28	0.81 / 21	0.39 / 10	0.24 / 6	0.87 / 22	0.69 / 17	M5
1 / 25	0.65 / 17	1.31 / 33	0.95 / 24	0.47 / 12	0.31 / 8	0.87 / 22	0.69 / 17	M5X5 DEEP
1-1/4 / 32	0.65 / 17	1.30 / 33	1.20 / 31	0.47 / 12	0.31 / 8	0.93 / 24	0.75 / 19	M6X7 DEEP
1-1/2 / 40	0.91 / 23	1.63 / 41	1.39 / 35	0.63 / 16	0.39 / 10	0.93 / 24	0.75 / 19	M6X5 DEEP
2 / 50	0.91 / 23	1.61 / 41	1.73 / 44	0.63 / 16	0.39 / 10	0.93 / 24	0.75 / 19	M6X5 DEEP
2-1/2 / 65	1.10 / 28	2.12 / 54	2.30 / 59	0.79 / 20	0.47 / 12	1.38 / 35	1.08 / 28	M6X6 DEEP
3 / 80	1.10 / 28	2.11 / 54	2.69 / 68	0.79 / 20	0.47 / 12	1.38 / 35	1.08 / 28	M6X6 DEEP

Note : 1/4"-2" : topped 2 hole mounting pad ; 2-1/2"-3" : topped 4 hole mounting pad.